

# VELAN



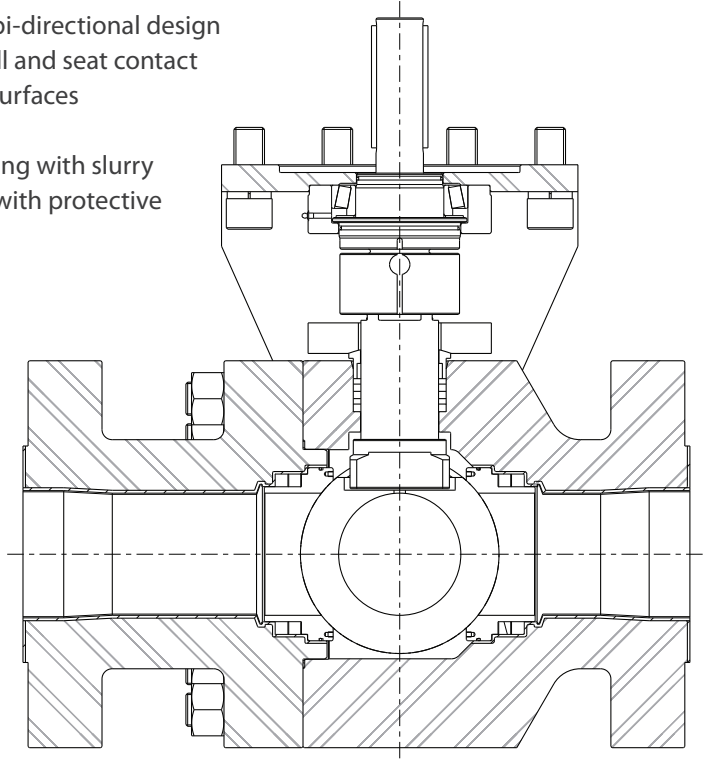
# VALVES FOR THE TOUGHEST MINING APPLICATIONS IN THE WORLD



Velan has over 25 years of experience providing engineered valves to mining processes such as slurry transport, tailings discharge, autoclave isolation and feed pump isolation. This includes one of the toughest mines in the world, Collahuasi copper mines in Chile. These severe service ball valves are used in high pressure and high velocity applications with erosive and possibly corrosive media to exceed the capabilities of other valve types.

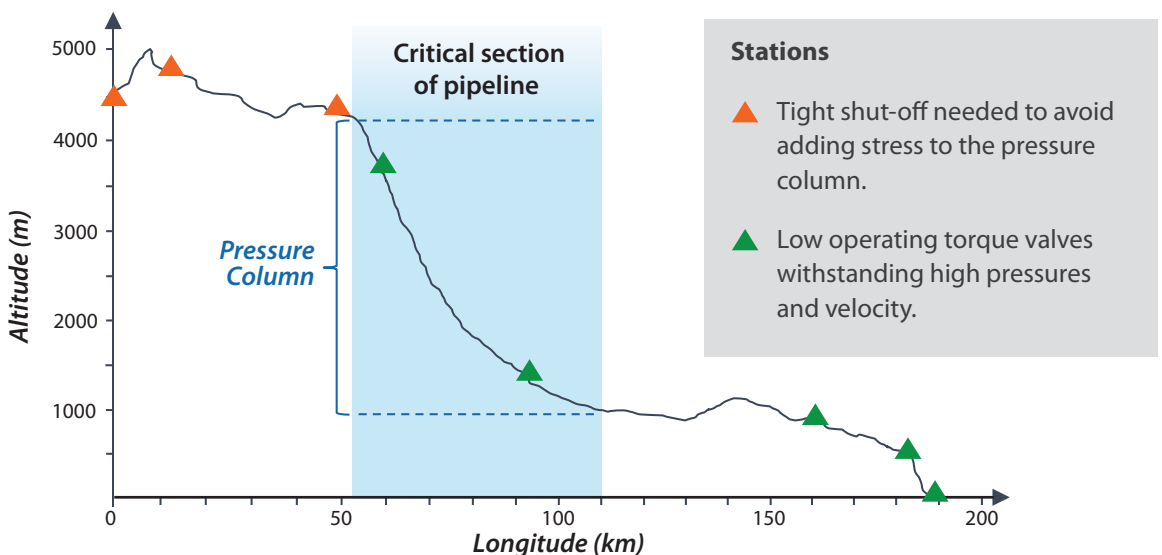
# SECURASEAL C-SERIES METAL-SEATED BALL VALVE

- **Maximized life expectancy** using this bi-directional design that offers a permanently energized ball and seat contact as well as effective scraping of sealing surfaces
- **Ensured shut-off** and minimized clogging with slurry proof internals in high velocity slurries with protective shrouds and graphite backseat rings
- **Lower torque** due to a robust drive train that ensures operability no matter the slurry challenges with an external tapered roller bearing
- **Operator friendly** thanks to the large heavy-duty bracket with versatile mounting pattern and easy access to packing studs
- **Easy maintenance**, disassembly, and interchangeable seats



## PIPELINE TOPOGRAPHY

The Securaseal C-series versatile and robust design meets all conditions required along the pipeline.



CONTACT US TO FIND OUT HOW WE CAN SUPPORT YOUR MINING PROJECTS